

MAAX SUBMITTAL SPECIFICATIONS

Vivez l'expérience

MAAX®

Enjoy the experience

Aiiki 7242

MODEL NUMBER 102785

DIMENSIONS: 72" x 42" x 24" Acrylic



STANDARD FEATURES

- Cube inspired lines with an urban touch and comfortable design
- Comfortable inclined backrests and shaped to offer plenty of shoulder room
- Magnetic cushion available in black or white Magnet backed headrest for cushion. Factory installed only if cushion ordered on initial order.
- Apron not available
- Center drain
- Drop-in installation

OPTIONS

- Thermo-Acoustic system
- Water heater assembly
- ABS trim kit for whirlpool and combined systems
- Two chromatherapy lights
- Flexible main hose 15 ft for electronic control
- Metal trim kit for Aerofeel

UNIQUE FEATURES

- None

SYSTEMS

- Aerofeel
- Chromotherapy
- Combined Aerofeel/Hydrofeel
- Hydrofeel
- Ozonator

DEER SELECTION

Maax products adhere to one or more of the following certifications:



Project :

Contractor :

MAAX Representative : Tel :

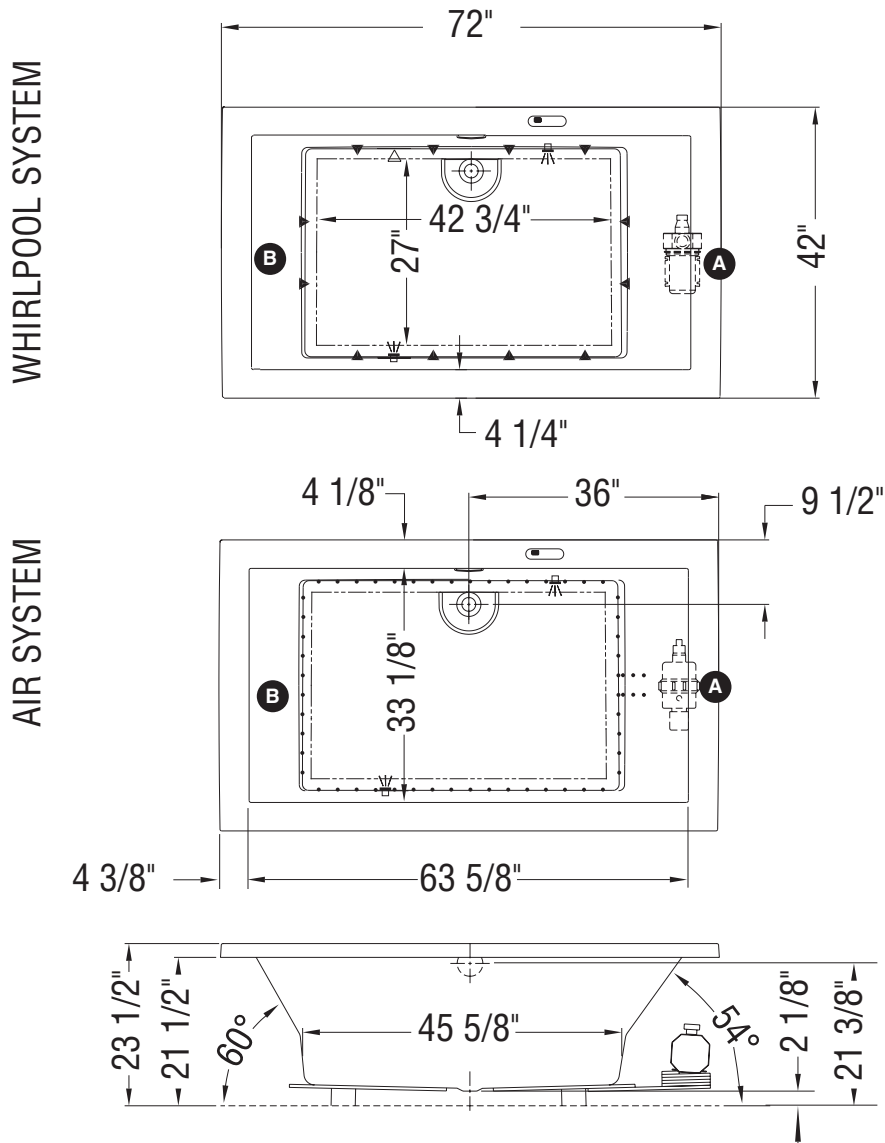
Date :

MAAX SUBMITTAL SPECIFICATIONS

Aiiki 7242

MODEL NUMBER 102785

TECHNICAL DRAWINGS



Note: Air backjets on same side as blower

(▲): Indicates whirlpool jets positioning

(△): Indicates suction positioning

(●): Indicates airjets positioning

(♪): Indicates chromatherapy light positioning

Bathtub base includes anti-vibration Neutra-Phone leg supports (not shown).

All dimensions are approximate. Structure measurements

must be verified against the unit to ensure proper fit.

(A) : Specify blower and/or pump location when ordering
 (B)