

Duetta 6042 Whirlpool



Product Codes beginning with: DUE6042WCR

Also applies to products sold under part numbers: JQ10, JQ15, EE45, JQ25, JQ30, JQ35, JQ40, JQ45

TECHNICAL SPECIFICATIONS

	English	Metric
Outer Dimensions	60" L x 42" W x 26" H	1524 mm L x 1067 mm W x 660 mm H
Interior Dimensions (bottom of bath) L x W (Mid) x W (End)	32" L x 23 1/2" W x 23 1/2" W	813 mm L x 597 mm W x 597 mm W
Drain/Pump Configuration	Center drain/Right end pump	Center drain/Right end pump
Bath Weight (empty)	136 lbs	62 kg
Total Weight/Floor Loading	1,077 lbs 61.6 lbs/ft ²	490 kg 301 kg/m ²
Operating Gallonage (min-max)	70 (min) 83 (max) U.S. Gals	265 (min) 314 (max) L
Electrical Specifications	Each component requires a separate, dedicated GCFI protected circuit	
Motor/Pump	120V 20A 60HZ	
Heater	120V 15A 60HZ	

FEATURES, UPGRADES & ACCESSORIES

Material Type: High-Gloss Acrylic

Install Type: Drop-in or Undermount

Available Colors: White (W), Almond (A), Oyster (Y), Black (B)

Cut-out Template: DA09000

Standard (Included) Features:

16 jets, In-line Heater,
Chromatherapy lighting

Available Control Systems:

J4 Luxury Control Panel (standard)

J5 Luxury LCD Control Panel

Available Upgrades:

Whisper Quiet Technology,

Illumatherapy Lighting

Available Accessories:

DA34 Rotary Drain Kit PVC (specify metal finish)

D095 TheraPro Jet Trim Kit (specify metal finish)

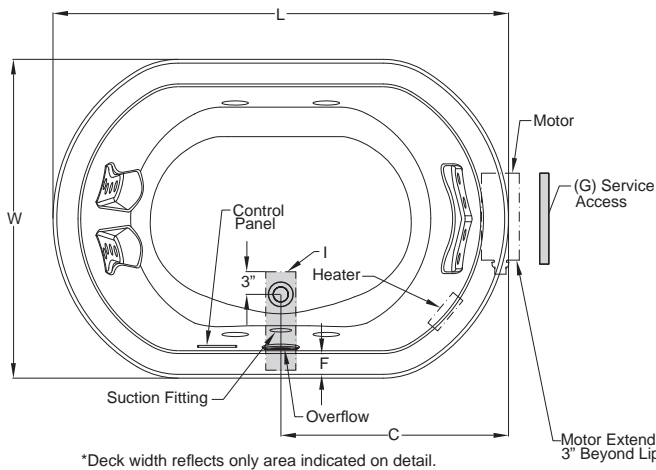
827: Chrome, 826: Brushed Nickel, 845: Oil Rubbed Bronze

*Note: D095 (Chrome) is standard on Illumatherapy jets.

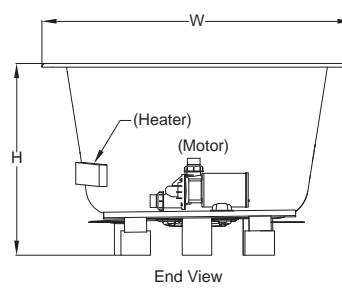
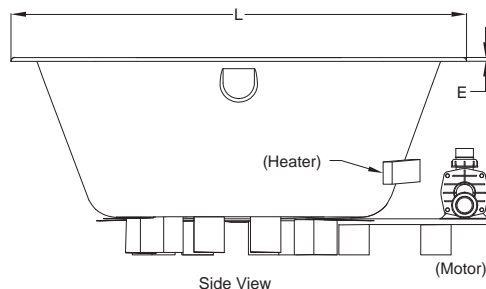
C263 Curved Pillow (specify color) 959: White, 958: Almond, 969: Oyster

GQ88 Light Chromatherapy Add-on Kit

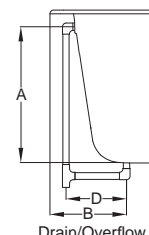
KEY DIMENSIONS



Letter	Description	English	Metric
L	Outer Length	60"	1524 mm
W	Outer Width	42"	1067 mm
H	Overall Height	26"	660 mm
A	Overflow Height	18 3/8"	467 mm
B	Long Edge to Drain Center	11"	279 mm
C	Short Edge to Drain Center	30"	762 mm
D	Drain Shoe Length	7 1/4"	183 mm
E	Deck Height	1/2"	13 mm
F	Deck Width*	3 7/8"	98 mm
G	Service Access Dimensions	12" H x 18" L	305 mm x 457 mm
I	Floor Cut-out for Drain	13" x 4"	330 mm x 102 mm



Note: Drain installation is non-standard. Vertical overflow connection requires offset.



NOTE: Graphics May Not be to Scale

© 2010 Jacuzzi Luxury Bath • For additional information call Customer Service 800-288-4002 • www.jacuzzi.com/technicalspecs

Refer to installation instructions included with fixture before beginning installation. Please confirm product availability and specifications before commencing with any installation work.

PRODUCT SPECIFICATIONS AND AVAILABILITY ARE SUBJECT TO CHANGE WITHOUT NOTICE.

HC81000 REL 02/10