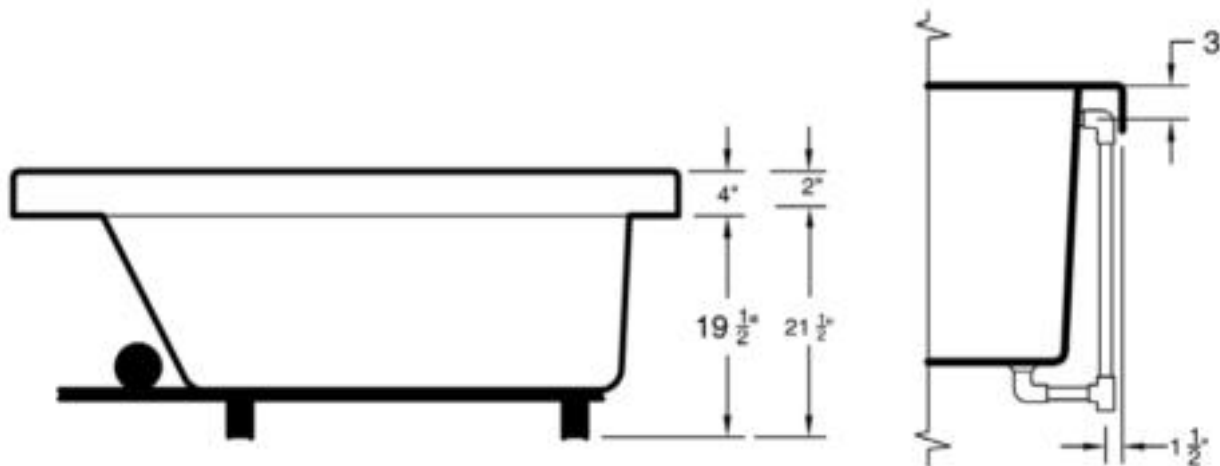
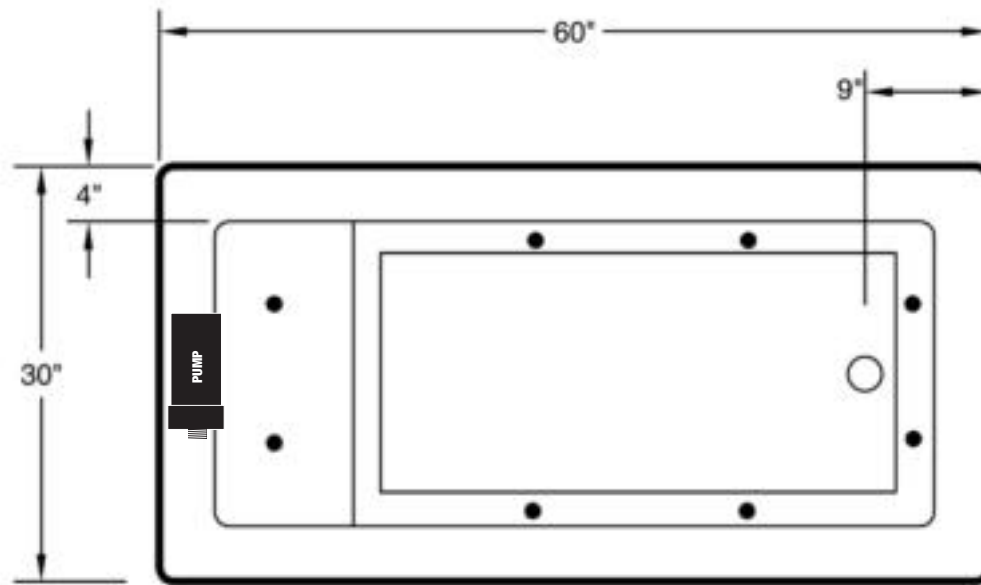


venetian collection

3060VNW Venetian

S P E C I F I C A T I O N S

- All dimensions are plus or minus 1/2" (maximum tolerance)
- Vita Bath reserves the right to make changes without notice.
- Copyright, all rights reserved.



- MODEL:** 3060VNW
SIZE: 30" x 60"
EST. BOXED WEIGHT: 100 lbs. (Tub Only)
EST. BOXED WEIGHT: 160 lbs. (Whirlpool)
EST. BOXED WEIGHT: 180 lbs. (Whirlpool W:Champ/Air)
BOXED SIZE: 35" X 71" 24"
AVERAGE FILL (gallons): 50
PUMP SIZE: 1.5 HP
ELECTRICAL: 110 V 20 Amp Circuit
MATERIAL: Acrylic reinforced fiberglass
STANDARD COLORS: White, Bone, Almond, Biscuit, Sterling Silver, Linen
STANDARD FEATURES: Air Switch
JETS: 6 Jets, 2 Cluster jets
AIR CONTROL(S): 2
SUCTION FITTINGS: 1

Interior Depth	Interior Length Top	Interior Width Top	Interior Length Bottom	Interior Width Bottom
18	51 ^{1/4}	20 ^{3/4}	41	17

*Except interior depth, all dimensions are approximations to the nearest inch.

VITA[®]
VBATH

A Division of DM Industries, Ltd.
 2320 N.W. 147th St., Miami, FL 33054
 Tel: (305) 685-5739 / (888) 289-8482
 Fax: (305) 688-9415 / (800) 785-5222
 Web Site: <http://www.vitabath.com>

(OP) Optional Pump Location



Standard Pump Location