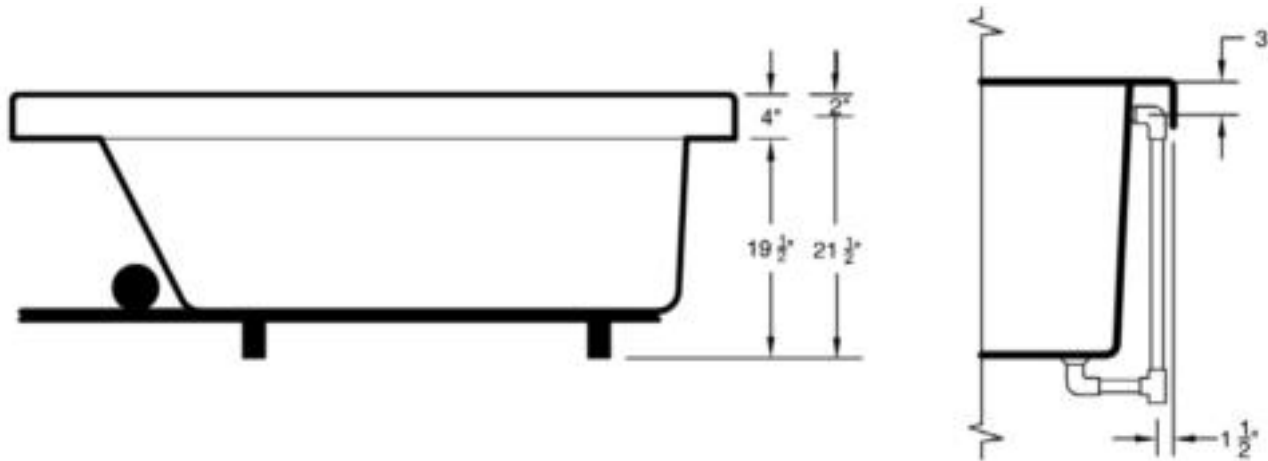
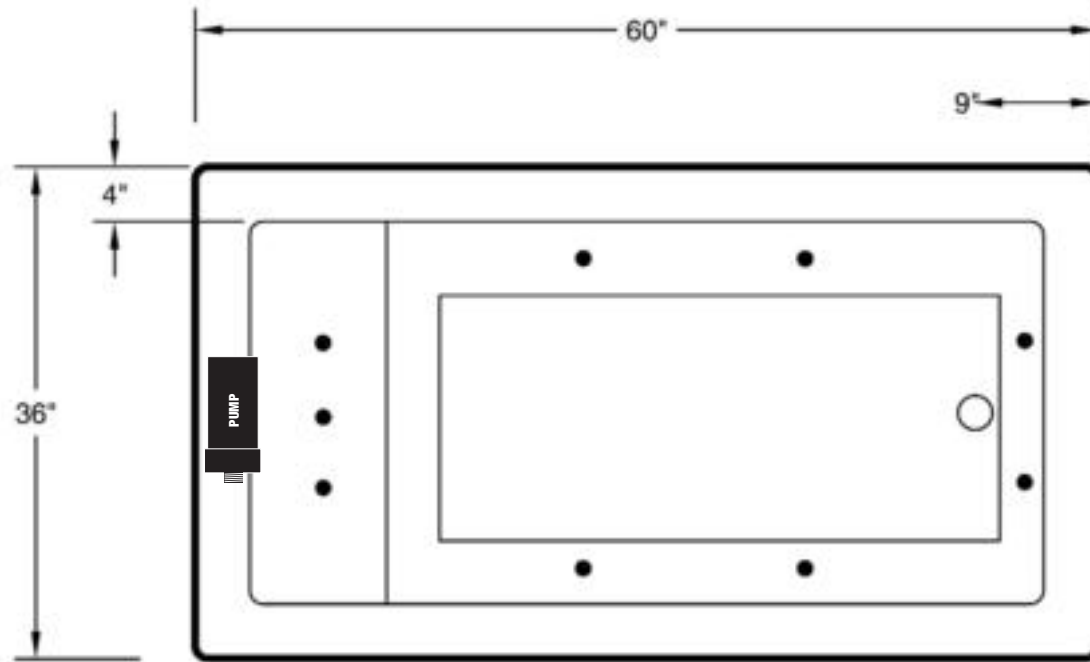


# venetian collection

## 3660VNW Venetian

# S P E C I F I C A T I O N S

- All dimensions are plus or minus 1/2" (maximum tolerance)
- Vita Bath reserves the right to make changes without notice.
- Copyright, all rights reserved.



Ⓞ Optional Pump Location



Standard Pump Location

- MODEL:** 3660VNW
- SIZE:** 36" x 60"
- EST. BOXED WEIGHT:** 110 lbs. (Tub Only)
- EST. BOXED WEIGHT:** 160 lbs. (Whirlpool)
- EST. BOXED WEIGHT:** 190 lbs. (Whirlpool W:Champ/Air)
- BOXED SIZE:** 39" X 71" 24"
- AVERAGE FILL (gallons):** 65
- PUMP SIZE:** 1.5 HP
- ELECTRICAL:** 110 V 20 Amp Circuit
- MATERIAL:** Acrylic reinforced fiberglass
- STANDARD COLORS:** White, Bone, Almond, Biscuit, Sterling Silver, Linen
- STANDARD FEATURES:** Air Switch
- JETS:** 6 Jets, 3 Cluster jets
- AIR CONTROL(S):** 2
- SUCTION FITTINGS:** 1

Interior Depth	Interior Length Top	Interior Width Top	Interior Length Bottom	Interior Width Bottom
19 <sup>3/4</sup>	51 <sup>1/8</sup>	26 <sup>1/2</sup>	41 <sup>1/4</sup>	24

\*Except interior depth, all dimensions are approximations to the nearest inch.

# VITA<sup>®</sup> VBATH

A Division of DM Industries, Ltd.  
2320 N.W. 147th St., Miami, FL 33054  
Tel: (305) 685-5739 / (888) 289-8482  
Fax: (305) 688-9415 / (800) 785-5222  
Web Site: <http://www.vitabath.com>