



Hydro Systems Inc.
 29132 Avenue Paine, Valencia, CA 91355
 Phone (661) 775-0686 · Fax (661) 775-0668
 www.hydrosystem.com
 e-mail: hydro@hydrosystem.com

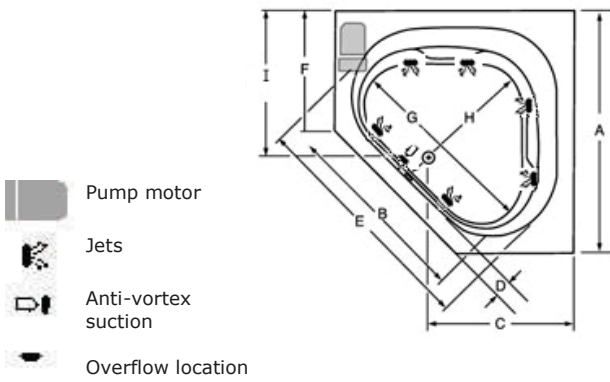
Clarissa

Tub specific options

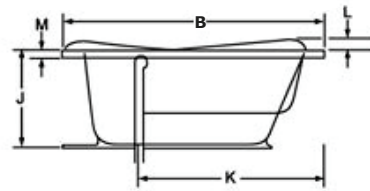


Tub must be set in Mortar Base

- | | |
|---|---|
| <ul style="list-style-type: none"> Available as Tub only, Thermal Air, Whirlpool or Combo Microban antibacterial protection Extra high density fiberglass Flange—molded Skirt Custom jet & pump locations Plated metallic finish Additional directional jets Swirling, rotating, or jumbo jets Micro therapy jet Integral waste & overflow 1½ HP variable speed pump (digital temperature display optional) | <ul style="list-style-type: none"> Electronic low water protection Inline heater Chromatherapy LED lighting Chromatherapy LED Mini spot-lights Moodlight Grab bars Back masseuse Neck masseuse pillow Hydro fragrance Hydro fusion Hydro coat Hydro express |
|---|---|

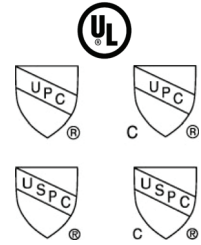


- Pump motor
- Jets
- Anti-vortex suction
- Overflow location



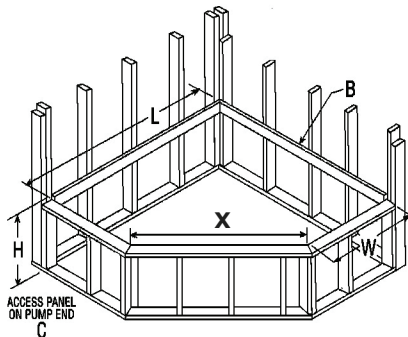
Approvals

Commonwealth of Massachusetts
 UPC & USPC
 US & Canada



Model	GC	AC	A	B	C	D	E	F	G	H	I	J	K	L	M	Jets	Pump	Water
5555	N/A	√	55"	55"	21"	6"	61"	26"	40"	31"	33½"	19½"	39"	2"	1¾"	6	2.25	60 gal.
Amps			Volts			Breaker			Dedicated Service									
13.5			120			20 amp			GFCI Protected									

Framing Dimension



Corner Installation			
(L)ength	(W)idth	X	(H)eight Finish
53"	19½"	47¼"	20¼"

Disclaimer: Certain options or altering the pump/blower location may cause the pump/blower to extend beyond the tub decking.
 For cutout dimensions wait for unit to arrive.
 All specifications subject to change without notice.