



PRO-FIT® 4260 TFS CD

Rectangular Whirlpool or Bath

whirlpoolbathtubs.com



Model 6126
Shown in
White with
EverBrass (PVD) trim

FEATURES

- 42" x 60" x 21-1/4" Rectangular whirlpool
- Simple air-switch operation
- 1-1/4 HP single-speed pump
- Center drain convenience
- Six powerful Ultra-Swirl jets
- Two air controls
- Integral apron and tile flange
- Standard removable long access panel on apron
- Color-Match trim, metal upgrades available
(Consult Price Book for specific colors)
- Available in White and Standard Colors
(Consult Price Book for specific colors)
- Outstanding protection - Mansfield® Limited One Year Acrylic Warranty

Model No.	Description	Approx.Wt.
6126	42" x 60" x 21-1/4" Rectangular whirlpool TFS CD. Specify color and options when ordering.	128 lbs. (58 kg)
6626	42" x 60" x 21-1/4" Rectangular bath TFS CD. Specify color and options when ordering.	108 lbs. (49 kg)
SWP151	Factory installed In-Line heater	3 lbs. (1.3 kg)
PF1320	Chrome lift and turn drain kit	1 lbs. (.4 kg)
PF1321	Everbrass lift and turn drain kit	1 lbs. (.4 kg)
PF1335	Chrome trim upgrade	1 lbs. (.4 kg)
PF1336	Everbrass trim upgrade	1 lbs. (.4 kg)



For more information or to order, call 800-325-4422.
www.whirlpoolbathtubs.com

4260 TFS CD

Rectangular Whirlpool or Bath

PRO-FIT®

UPGRADES

Removable Access Panel - 5 ft. Model

- This panel makes it a simple step to access the pump and other areas as required. Access panels available on TFS right and left hand models.



Lift & Turn Drain Kit Chrome and Everbrass (PVD)

- The lift and turn drain kit provides simple and easy draining of the bathtub.



Factory Installed In-line Heater

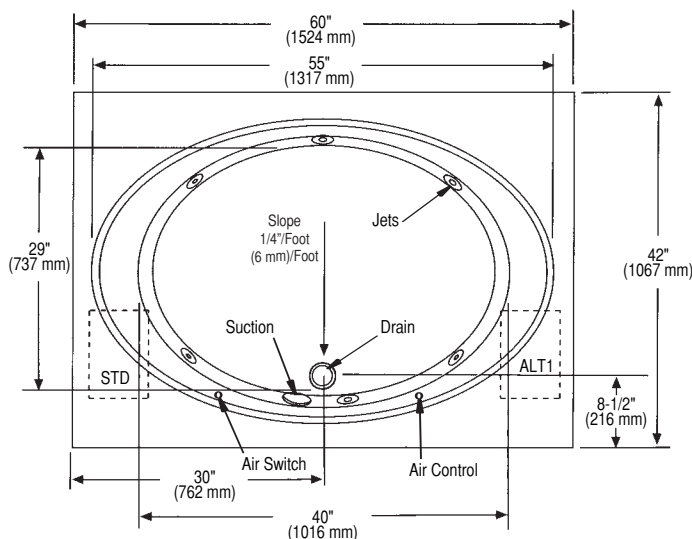
- A reliable, heating control upgrade maintains water temperature at desired level and operates when flow of water is detected in the system. Features a standard plug for easy electrical connection (GFCI: 120V, 20 amp dedicated circuit required to power this heater).



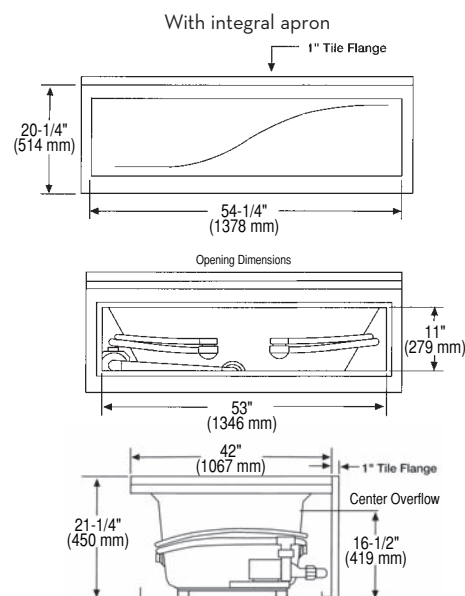
Trim Upgrade

- This option allows an upgrade to Chrome or Everbrass (PVD) trim including jets, intake, control and air control(s).

TECHNICAL INFORMATION



Unit is standard with removable access panels. Pump locations shown for clarity. STD is standard pump location. ALT1 is optional. Specify when ordering.



Note: Due to integral tile flange, a nailing flange is not available on this unit.

Note: Measurements may vary 1/4" (6.4 mm ±)

SPECIFICATIONS

Dimensions	42" x 60" x 21-1/4"
Material	Acrylic, fiberglass reinforced
Construction	Self-contained, pre-plumbed whirlpool bath
Pump Motor	1-1/4 HP, 1 phase, 120 volt, 60 HZ, 5.9 AMP,
Electrical Requirements	120 volt, 20 AMP, GFCI

Number of Jets	Six
Air Volume Control	Two
Water Capacity	55 gal. max., 42 gal. min. (209 liters/160 liters)
Floor Loading	47 lbs./sq. ft. (229 kg/m ²)
Shipping Weight	168 lbs. (76 kg)
Warranty	Limited One Year

These dimensions are nominal and are subject to change without notice.

When tested for compliance to the requirement of ANSI A112.19.7M and A112.19.8M for "Whirlpool Bath Appliances" and ANSI Z124 for "Plastic Bathtub Units" the tested units are found to comply and are acceptable for listing under the Terralab Engineers, Inc. follow-up service. Listed Number 15197.

Certified for permanent electrical supply connection only.

Mansfield®
performance for a lifetime™