



Model 5081
Shown in White
with Brushed Nickel Trim

FEATURES

- 40-1/2" x 71-3/4" x 27" Oval whirlpool
- Deep bathing well
- Comfort-engineered sculpted armrests and lumbar back rest
- Hydro-V™ back jet system: Eight jets massage the shoulder blades, upper and middle back muscles and the bottom two spinning jets massage your lower back
- Swirl-way® DryJets are adjustable in both direction and flow creating a broad, circular pattern of water and warm air for a deep venturi therapeutic massage
- Exclusive custom grab bars
- Dual air controls for the ultimate jet power control
- Powerful 2 HP pump creates an invigorating whirlpool action
- "Jellybean" pillow in your choice of White, Bone or Biscuit
- Trim finish in Color-Match, Chrome, Everbrass (PVD) and Brushed Nickel
- Outstanding Protection - Mansfield® Limited Ten Year Warranty
- Available in White, Standard, Premium and Designer Colors (Consult Price Book for Specific Colors)

The Avalon, with its uniquely engineered design and contoured back and arm supports, gives the bather an unrivaled, relaxing bathing experience. The Hydro-V™ back jet system and six body DryJets provide the most soothing hydro-massage action.

Model No.	Description	Approx.Wt.
5081	40-1/2" x 71-3/4" x 27" Oval whirlpool. Specify color and options when ordering.	130 lbs. (59 kg)
5581	40-1/2" x 71-3/4" x 27" Oval bath. Specify color and options when ordering.	110 lbs. (50 kg)
5081SEN	Sensory package	
5081LUX	Luxury package	
5081BAS	Basic package	



For more information or to order, call 800-325-4422.
www.whirlpoolbathtubs.com

AVALON

Oval Whirlpool or Bath



FEATURES & UPGRADES

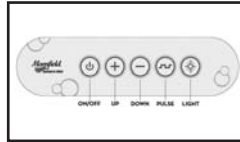
Basic Package

- SimpleTouch™ 3 button control
- 2 HP single speed pump
- Exclusive grab bars
- Pillow
- Color-Match trim



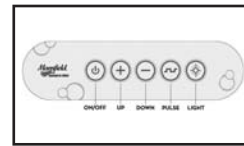
Luxury Package

- SensaSelect™ 5 button control
- 2 HP 10-speed pump
- Remote control
- Exclusive grab bars
- Pillow
- Infusion™ 2 Chromatherapy system
- In-Line heater
- Metal trim upgrades



Sensory Package

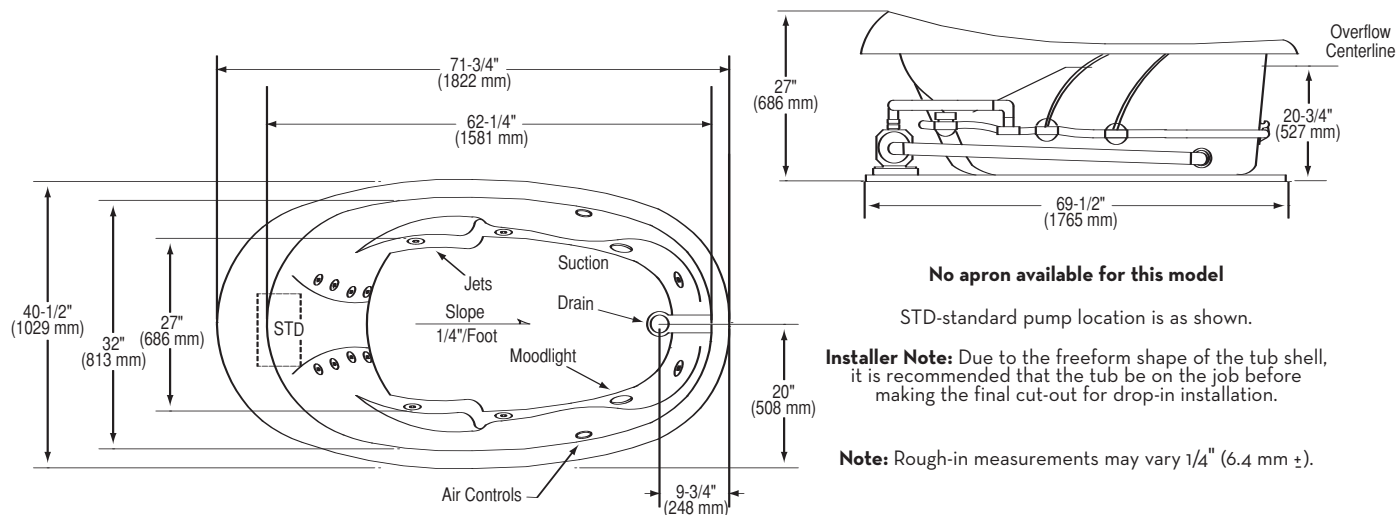
- SensaSelect™ 5 button control
- 2 HP 10-speed pump
- PowerPillow™ neck jet pillow
- Exclusive grab bars
- Remote control
- Pillow
- Infusion™ 2 Chromatherapy system
- In-Line heater
- Metal trim upgrades



Basic Options

- Infusion™ 2 Chromatherapy system
- 1500 watt in-line water heater
- Metal trim upgrade
- Cable drain in CM, CH, EB & BN

TECHNICAL INFORMATION



SPECIFICATIONS

Dimensions	40-1/2" x 71-3/4" x 27"	Number of Jets	Fourteen
Material	Acrylic, fiberglass reinforced	Air Volume Control	Two
Construction	Self-contained, pre-plumbed whirlpool bath with heat-bent rigid PVC pipe, mounted on a pre-leveled thermoformed, drip pan base	Water Capacity	90 gal. max., 75 gal. min. (341 liters/361 liters)
Pump Motor	2 HP, Ten speed, 120 volt, 60 HZ, 13.5 AMP	Floor Loading	47 lbs./sq. ft. (229 kg/m ²)
Electrical Requirements	Lux.-Sen.: Two separate 120 volt, 20 AMP, GFCI protected circuits Basic: One separate, 120 volt, 20 AMP, GFCI outlet	Shipping Weight	175 lbs. (79 kg)
		Warranty	Limited Ten Year

These dimensions are nominal and are subject to change without notice.
When tested for compliance to the requirement of ANSI A112.19.7M and A112.19.8M for "Whirlpool Bath Appliances" and ANSI Z124 for "Plastic Bathtub Units" the tested units are found to comply and are acceptable for listing under the Terralab Engineers, Inc. follow-up service. Listed Number 15197.
Certified for permanent electrical supply connection only.

