



Model 5065  
Shown in White  
with Brushed Nickel Trim

## FEATURES

- 38" x 66" x 23-1/2" Rectangular Whirlpool
- Deep bathing well
- Hydro-V™ back jet system: Eight jets massage the shoulder blades, upper and middle back muscles and the bottom two spinning jets massage your lower back
- Exclusive handles and pillows
- Swirl-way® DryJets are adjustable in both direction and flow creating a broad, circular pattern of water and warm air for a deep venturi therapeutic massage
- Cable operated drain in Color-Match, Chrome, Everbrass (PVD) or Brushed Nickel
- Powerful 2 HP pump system creates an invigorating whirlpool action
- Dual air controls for the ultimate jet power control
- Trim finish in your choice of Color-Match, Chrome, Everbrass (PVD) and Brushed Nickel
- Outstanding Protection - Mansfield® Limited Ten Year Warranty
- Available in White, Standard, Premium and Designer Colors (Consult Price Book for specific colors)

The Covington R features a minimalistic design with a deep bathing well and the Hydro-V™ back jet system. A fourteen jet system gives the bather all that's needed for hydro-massage therapy. Swirl-way's exclusive ergonomic handles add class for a simply beautiful whirlpool or bath.

Model No.	Description	Approx.Wt.
5065	38" x 66" x 23-1/2" Rectangular whirlpool. Specify color and options when ordering.	120 lbs. (54 kg)
5565	42" x 68" x 23-1/2" Rectangular bath. Specify color and options when ordering.	100 lbs. (45 kg)



5065SEN Sensory package  
5065LUX Luxury package  
5065BAS Basic package



**For more information or to order, call 800-325-4422.**  
**www.whirlpoolbathtubs.com**

# COVINGTON R

## Rectangle Whirlpool or Bath



### FEATURES & UPGRADES

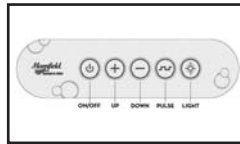
#### Basic Package

- SimpleTouch™ 3 button control
- 2 HP single speed pump
- Exclusive custom grab bars
- Pillow
- Color-Match trim



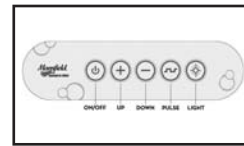
#### Luxury Package

- SensaSelect™ 5 button control
- 2 HP 10-speed pump
- Remote control
- Exclusive custom grab bars
- Pillow
- Infusion™ 2 Chromatherapy system
- In-Line heater
- Metal trim upgrade



#### Sensory Package

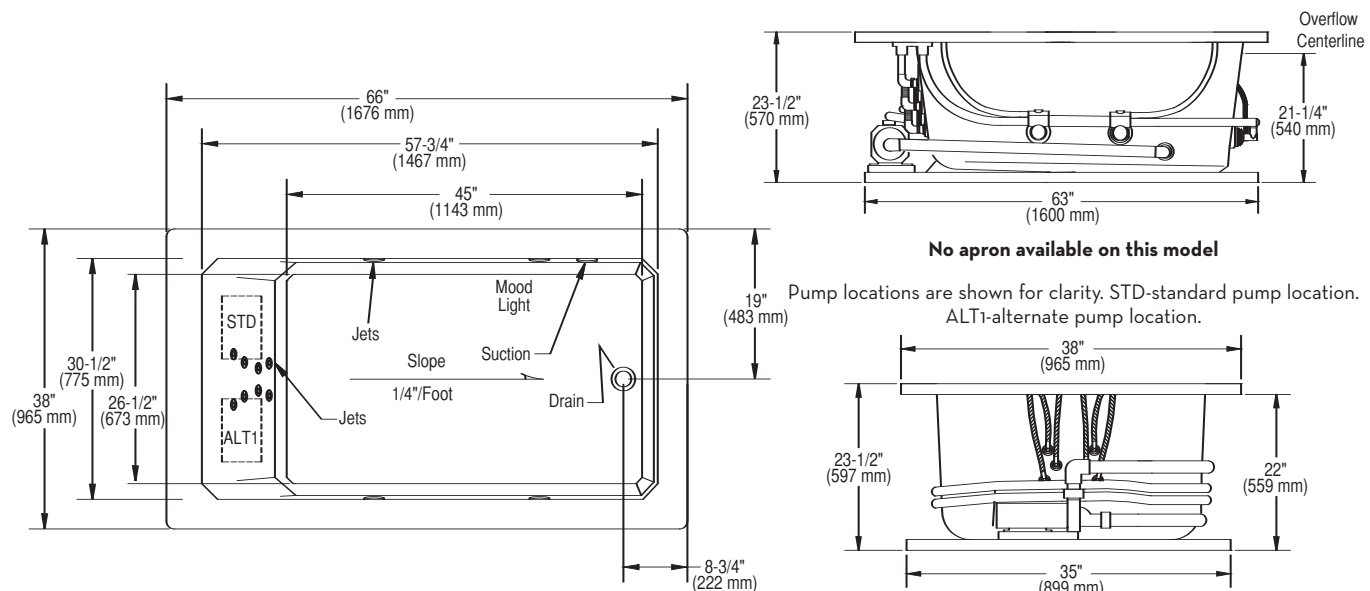
- SensaSelect™ 5 button control
- 2 HP 10-speed pump
- PowerPillow™ neck jet pillow
- Remote control
- Exclusive custom grab bars
- Pillow
- Infusion™ 2 Chromatherapy system
- In-Line heater
- Metal trim upgrade



#### Basic Options

- Infusion™ 2 Chromatherapy system
- 1500 watt in-line water heater
- Metal trim upgrade
- Cable drain in CM, CH, EB & BN

### TECHNICAL INFORMATION



No apron available on this model

Pump locations are shown for clarity. STD-standard pump location. ALT1-alternate pump location.

**Note:** Install this product according to the installation guide. Fixture dimensions are nominal and conform to tolerances in ASME Standard A112.19.2

### SPECIFICATIONS

<b>Dimensions</b>	38" x 66" x 23-1/2"
<b>Material</b>	Acrylic, fiberglass reinforced
<b>Construction</b>	Self-contained, pre-plumbed whirlpool bath with heat-bent rigid PVC pipe, mounted on a pre-leveled thermoformed, drip pan base
<b>Pump Motor</b>	2 HP, Ten speed, 120 volt, 60 HZ, 13.5 AMP
<b>Electrical Requirements</b>	Lux.-Sen.: Two separate 120 volt, 20 AMP, GFCI protected circuits Basic: One separate, 120 volt, 20 AMP, GFCI outlet

<b>Number of Jets</b>	Fourteen
<b>Air Volume Control</b>	Two
<b>Water Capacity</b>	90 gal. max., 75 gal. min. (341 liters/284 liters)
<b>Floor Loading</b>	47 lbs./sq. ft. (229 kg/m <sup>2</sup> )
<b>Shipping Weight</b>	165 lbs. (75 kg)
<b>Warranty</b>	Limited Ten Year

These dimensions are nominal and are subject to change without notice.  
When tested for compliance to the requirement of ANSI A112.19.7M and A112.19.8M for "Whirlpool Bath Appliances" and ANSI Z124 for "Plastic Bathtub Units" the tested units are found to comply and are acceptable for listing under the Terralab Engineers, Inc. follow-up service. Listed Number 15197.  
Certified for permanent electrical supply connection only.

