



Model 5078 Shown in
White with
Brushed Nickel Trim

FEATURES

- 42" x 68" x 23-1/2" Oval Whirlpool
- Deep bathing well
- Hydro-V™ back jet system: Eight jets massage the shoulder blades, upper and middle back muscles and the bottom two spinning jets massage your lower back
- Exclusive handles and pillows
- Swirl-way® DryJets are adjustable in both direction and flow creating a broad, circular pattern of water and warm air for a deep venturi therapeutic massage
- Cable operated drain in Color-Match, Chrome, Everbrass (PVD) or Brushed Nickel
- Powerful 2 HP pump system creates an invigorating whirlpool action
- Dual air controls for the ultimate jet power control
- Trim finish in your choice of Color-Match, Chrome, Everbrass (PVD) and Brushed Nickel
- Outstanding protection - Mansfield® Limited Ten Year Warranty
- Available in White, Standard, Premium and Designer Colors (Consult Price Book for specific colors)

The Hampton OV features a deep bathing well and the Hydro-V™ back jet system giving you further choices in bathroom design. A fourteen jet system gives the bather(s) all that's needed in hydro-massage therapy. Swirl-way's exclusive ergonomic handles and pillow complement your own personal oasis.

Model No.	Description	Approx.Wt.
5078	42" x 68" x 23-1/2" Oval whirlpool. Specify color and options when ordering.	135 lbs. (61 kg)
5578	42" x 68" x 23-1/2" Oval bath. Specify color and options when ordering.	115 lbs. (52 kg)

- 5078SEN Sensory package
- 5078LUX Luxury package
- 5078BAS Basic package



For more information or to order, call 800-325-4422.
www.whirlpoolbathtubs.com

HAMPTON OV

Oval Whirlpool or Bath



FEATURES & UPGRADES

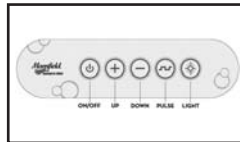
Basic Package

- SimpleTouch™ 3 button control
- 2 HP single speed pump
- Exclusive custom grab bars
- Pillow
- Color-Match trim



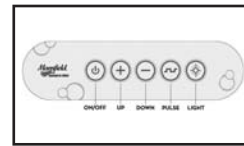
Luxury Package

- SensaSelect™ 5 button control
- 2 HP 10-speed pump
- Remote control
- Exclusive custom grab bars
- Pillow
- Infusion™ 2 Chromatherapy system
- In-Line heater
- Metal trim upgrade



Sensory Package

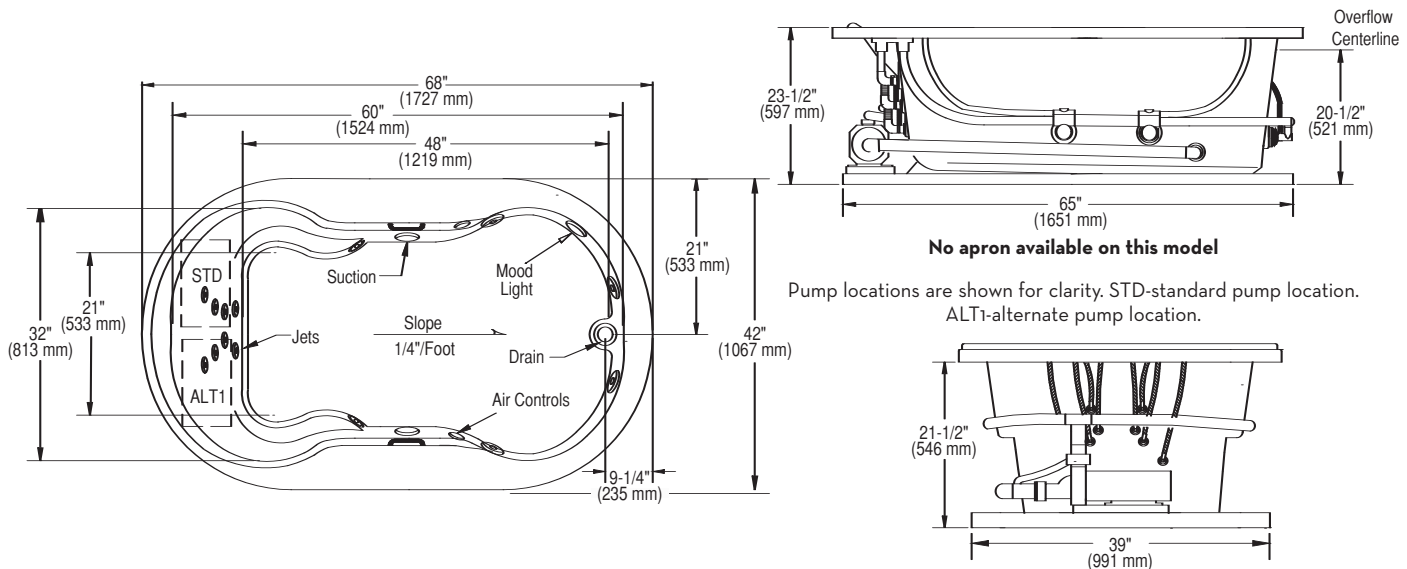
- SensaSelect™ 5 button control
- 2 HP 10-speed pump
- PowerPillow™ neck jet pillow
- Remote control
- Exclusive custom grab bars
- Pillow
- Infusion™ 2 Chromatherapy system
- In-Line heater
- Metal trim upgrade



Basic Options

- Infusion™ 2 Chromatherapy system
- 1500 watt in-line water heater
- Metal trim upgrade
- Cable drain in CM, CH, EB & BN

TECHNICAL INFORMATION



SPECIFICATIONS

Dimensions	42" x 68" x 23-1/2"
Material	Acrylic, fiberglass reinforced
Construction	Self-contained, pre-plumbed whirlpool bath with heat-bent rigid PVC pipe, mounted on a pre-leveled thermoformed, drip pan base
Pump Motor	2 HP, Ten speed, 120 volt, 60 HZ, 13.5 AMP
Electrical Requirements	Two, 110 volt, 20 AMP, separate circuits Required with Class A GFCI protection
Electrical Requirements	Lux.-Sen.: Two separate 120 volt, 20 AMP, GFCI protected circuits Basic: One separate, 120 volt, 20 AMP, GFCI outlet

Number of Jets	Fourteen
Air Volume Control	Two
Water Capacity	80 gal. max., 60 gal. min. (303 liters/227 liters)
Floor Loading	47 lbs./sq. ft. (229 kg/m ²)
Shipping Weight	180 lbs. (82 kg)
Warranty	Limited Ten Year

These dimensions are nominal and are subject to change without notice.
When tested for compliance to the requirement of ANSI A112.19.7M and A112.19.8M for "Whirlpool Bath Appliances" and ANSI Z124 for "Plastic Bathtub Units" the tested units are found to comply and are acceptable for listing under the Terralab Engineers, Inc. follow-up service. Listed Number 15197.
Certified for permanent electrical supply connection only.

