



Model 5017  
Shown in White  
with Brushed Nickel Trim

**FEATURES**

- 47" x 70" x 20-1/4" Oval whirlpool
- Hydro-V™ back jet system: At both ends six jets massage the shoulder blades, upper and middle back muscles and the bottom two spinning jets for your lower back
- Swirl-way® DryJets are adjustable in both direction and flow creating a broad, circular pattern of water and warm air for a deep venturi therapeutic massage
- Sculpted armrests for each bather
- Dual air controls for the ultimate jet power control
- Powerful 2 HP pump creates an invigorating whirlpool action
- Two "Jellybean" pillows in your choice of White, Bone or Biscuit
- Trim finish in Color-Match, Chrome, Everbrass (PVD) and Brushed Nickel
- Outstanding Protection - Mansfield® Limited Ten Year Warranty
- Available in White, Standard, Premium and Designer Colors (Consult Price Book for Specific Colors)

Simple in its Oval form and stylish in its simple lines, the Waverly has a sixteen jet system. The Hydro-V™ back jet system, plus four body DryJets give the bather(s) hydro-therapy needed to soothe the upper and lower back muscles.

Model No.	Description	Approx.Wt.
5017	47" x 70" x 20-1/4" Oval whirlpool. Specify color and options when ordering.	110 lbs. (49 kg)
5017SEN	Sensory package	
5017LUX	Luxury package	
5017BAS	Basic package	



**For more information or to order, call 800-325-4422.**  
**www.whirlpoolbathtubs.com**

# WAVERLY Oval Whirlpool



## FEATURES & UPGRADES

### Basic Package

- SimpleTouch™ 3 button control
- 2 HP single speed pump
- Pillows
- Color-Match trim



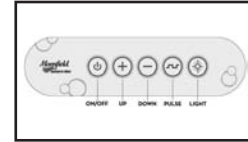
### Luxury Package

- SensaSelect™ 5 button control
- 2 HP 10-speed pump
- Remote control
- Pillows
- Infusion™ 2 Chromatherapy system
- In-Line heater
- Metal trim upgrade



### Sensory Package

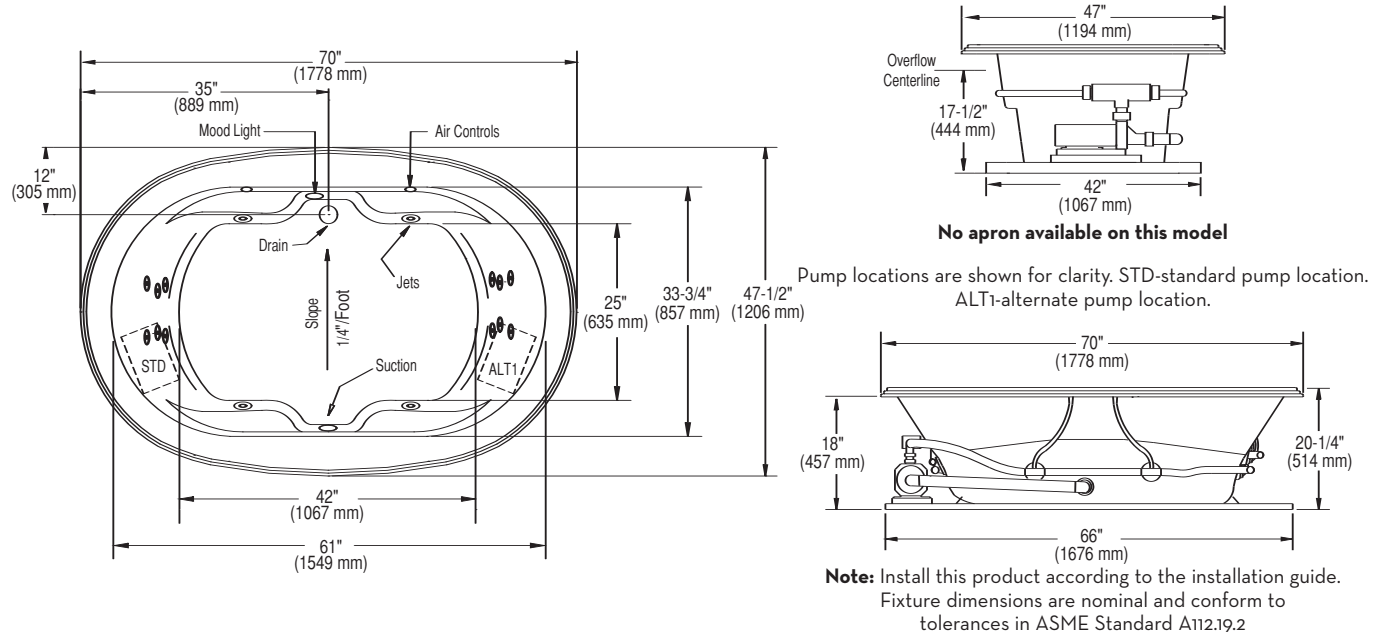
- SensaSelect™ 5 button control
- 2 HP 10-speed pump
- PowerPillow™ neck jet pillow
- Remote control
- Pillows
- Infusion™ 2 Chromatherapy system
- In-Line heater
- Metal trim upgrade



### Basic Options

- Infusion™ 2 Chromatherapy system
- 1500 watt in-line water heater
- Metal trim upgrade
- Cable drain in CM, CH, EB & BN

## TECHNICAL INFORMATION



## SPECIFICATIONS

<b>Dimensions</b>	47" x 70" x 20-1/4"	<b>Number of Jets</b>	Sixteen
<b>Material</b>	Acrylic, fiberglass reinforced	<b>Air Volume Control</b>	Two
<b>Construction</b>	Self-contained, pre-plumbed whirlpool bath with heat-bent rigid PVC pipe, mounted on a pre-leveled thermoformed, drip pan base	<b>Water Capacity</b>	75 gal. max., 50 gal. min. (285 liters/190 liters)
<b>Pump Motor</b>	2 HP, Ten-speed, 120 volt, 60 HZ, 13.5 AMP, pre-mounted	<b>Floor Loading</b>	47 lbs./sq. ft. (229 kg/m <sup>2</sup> )
<b>Electrical Requirements</b>	Lux.-Sen.: Two separate 120 volt, 20 AMP, GFCI protected circuits Basic: One separate, 120 volt, 20 AMP, GFCI outlet	<b>Shipping Weight</b>	155 lbs. (70 kg)
		<b>Warranty</b>	Limited Ten Year

These dimensions are nominal and are subject to change without notice.  
When tested for compliance to the requirement of ANSI A112.19.7M and A112.19.8M for "Whirlpool Bath Appliances" and ANSI Z124 for "Plastic Bathtub Units" the tested units are found to comply and are acceptable for listing under the Terralab Engineers, Inc. follow-up service. Listed Number 15197.  
Certified for permanent electrical supply connection only.

