



# Covington R

Rectangular Air Massage Bath



## Features

- 66" x 38" x 23-1/2" Rectangular air massage bath with deep bathing well
- Three advanced therapy air bath systems — Choose the perfect hydrotherapy system for your lifestyle
- Exclusive ergonomic handles
- Advanced multifunctional digital controller — Featuring on/off, variable speeds, wave, pulse, heated backrest and chromatherapy control (standard)
- MoodScape™ Chromatherapy system — Seven healing light settings with a full spectrum sequencing mode (standard)
- PerfectBack™ — Multiple soothing recessed back jets with on/off heated neck/back rest (standard)
- Heated SilentAir™ system — Quiet single/dual 1HP air blowers with sound suppressing mufflers and pump mounts (standard)
- QuickDrain™ channel system and automatic purge system offer the ultimate in hygiene — Ideal for luxury aromatherapy and bath additives (standard)
- Color-Match trim for air jets (standard) — Optional finishes include polished chrome, everbrass (PVD) and brushed nickel
- Cable drain with matching trim (standard) — Optional finishes available
- “Jellybean” pillow (standard)
- Available in Standard and Premium Colors (See Price Book for specific colors)
- Outstanding protection – Mansfield® Limited Ten Year Warranty

### HealthTouch™

Direct Therapy Air System

- Rigorous full body hydrotherapy massage with 53 powerful side/back air jets
- Features the proprietary QuickDrain™ channel system

### GentleTouch™

Immersion Air System

- Total relaxation with 48 air jets to immerse and envelop the bather from all sides
- Fully sealed air injector system, ideal for luxury bath additives and essential oils

### DualTherapy™

Complete Performance System

- The best of both worlds: HealthTouch™ and GentleTouch™ combined
- A full featured, dual blower system for the ultimate in hydrotherapy

Model No.	Description	Approx. Wt.
9065	66" x 38" x 23-1/2" Rectangular HealthTouch™ direct therapy air system. Specify color and options.	140 lbs. (64 kg)
9165	66" x 38" x 23-1/2" Rectangular GentleTouch™ immersion air system. Specify color and options.	140 lbs. (64 kg)
9265	66" x 38" x 23-1/2" Rectangular Dual Therapy™ complete performance system. Specify color and options.	160 lbs. (73 kg)
AR1200	Blower relocation kit	8 lbs. (1.8 kg)



# Covington R

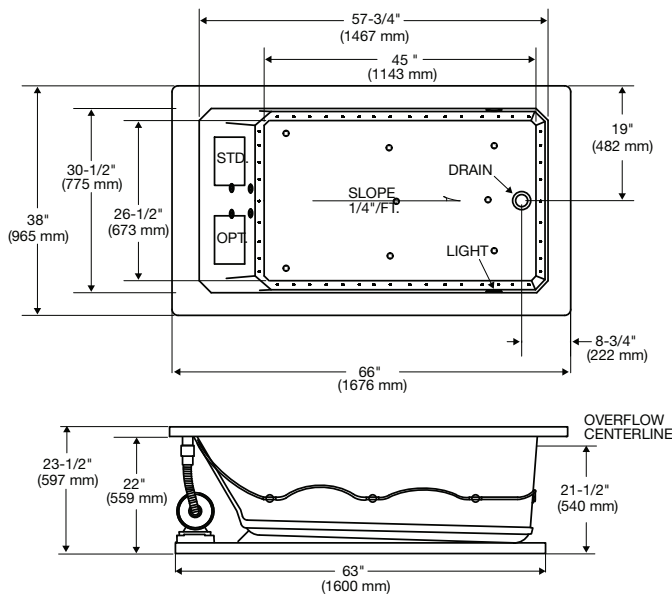
## Rectangular Air Massage Bath



### Features & Options

Covington R	Full Function Digital Controller	Wave / Pulse	Variable Speed	Air Jets / Injectors	SilentAir™ Heated Blowers	Remote Blower Location	Auto Purge System	PerfectBack™ Air Jet System	On/OFF Heated Back/Neck Rest	Dual Heated Backrest	Custom Design Pillow	MoodScape™ Chromatherapy	Ergonomic Handles	Trim Finish Selection	Remote Cable Drain	Nailing Flange	Removable Apron	ABS Drip Pan Base
HealthTouch™ Model 9065	STD	STD	STD	53 1 HP	Single	OPT	STD	STD	STD	N/A	N/A	STD	STD	STD	N/A	N/A	STD	
GentleTouch™ Model 9165	STD	STD	STD	48 1 HP	Single	OPT	STD	STD	STD	N/A	N/A	STD	STD	STD	N/A	N/A	STD	
DualTherapy™ Model 9265	STD	STD	STD	101 1 HP	Dual	OPT	STD	STD	STD	N/A	N/A	STD	STD	STD	N/A	N/A	STD	

### Technical Information

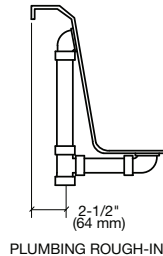
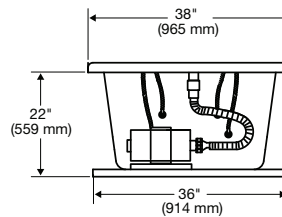


Note: Rough-in measurements may vary 1/4" (+/-)

No apron available on this model.

Blower locations are shown for clarity.  
STD - standard blower location.  
OPT - optional blower location.

Note: Install this product according to the installation guide.  
Fixture dimensions are nominal and conform to tolerances in ASME Standard A112.19.2



### Specifications

Dimensions	66" x 38" x 23-1/2"	HealthTouch™ Model 9065	1 HP blower, 1 single phase, 120V, 60 HZ, premounted
Material	Acrylic, fiberglass reinforced	Electrical	120V, 20 AMP, GFCI
Construction	Self-contained, pre-plumbed air massage bath, mounted on a thermoformed base	Number of Air Jets	53 perimeter side/back air jets
Water Capacity	90 gal. max., 75 gal. min. (341 liters/284 liters)	GentleTouch™ Model 9165	1 HP blower, 1 single phase, 120V, 60 HZ, premounted
Floor Loading	47 lbs./sq. ft. (229 kg/m <sup>2</sup> )	Electrical	120V, 20 AMP, GFCI
Shipping Weight	180 lbs. (82 kg)	Number of Air Jets	48 body/foot micro air jets (8 injectors) with 12 side/back air jets
Shipping Weight	195 lbs. (88 kg)	DualTherapy™ Model 9265	Two 1 HP blower, 1 single phase, 120V, 60 HZ, premounted
Warranty	Limited Ten Year	Electrical	Two 120V, 20 AMP, GFCI
		Number of Air Jets	53 perimeter side/back air jets 48 body/foot micro air jets (8 injectors) with 12 side/back air jets

These dimensions are nominal and are subject to change without notice.  
When tested for compliance to the requirement of ANSI A112.19.7M and A112.19.8M for "Whirlpool Bath Appliances" and ANSI Z124 for "Plastic Bathtub Units" the tested units are found to comply and are acceptable for listing under the Terralab Engineers, Inc. follow-up service. Listed Number 15197. Certified for permanent electrical supply connection only.

