



# Castille

Corner Air Massage Bath with or without Spout



## Features

- 66" x 66" x 23-1/2" Corner air massage bath with deep bathing well
- Roomy, two person design with three fully contoured seating positions
- Three advanced therapy air bath systems — Choose the perfect hydrotherapy system for your lifestyle
- Available with or without integral fillspout
- Advanced multifunctional digital controller — Featuring on/off, variable speeds, wave, pulse, heated backrest and chromatherapy control (standard)
- MoodScape™ Chromatherapy system — Seven healing light settings with a full spectrum sequencing mode (standard)
- PerfectBack™ — Multiple soothing recessed back jets with on/off heated neck/back rest (standard)
- Heated SilentAir™ system — Quiet single/dual 1HP air blowers with sound suppressing mufflers and pump mounts (standard)
- Exclusive ergonomic handle grab bar
- QuickDrain™ channel system and automatic purge system offer the ultimate in hygiene — Ideal for luxury aromatherapy and bath additives (standard)
- Color-Match trim for air jets (standard) — Optional finishes include polished chrome, everbrass (PVD) and brushed nickel
- Cable drain with matching trim (standard) — Optional finishes available
- Two “Jellybean” pillows (standard)
- Available in Standard and Premium Colors (See Price Book for specific colors)
- Outstanding protection – Mansfield® Limited Ten Year Warranty

### HealthTouch™

Direct Therapy Air System

- Rigorous full body hydrotherapy massage with 66 powerful side/back air jets
- Features the proprietary QuickDrain™ channel system

### GentleTouch™

Immersion Air System

- Total relaxation with 72 air jets to immerse and envelop the bather from all sides
- Fully sealed air injector system, ideal for luxury bath additives and essential oils

### DualTherapy™

Complete Performance System

- The best of both worlds: HealthTouch™ and GentleTouch™ combined
- A full featured, dual blower system for the ultimate in hydrotherapy

Model No.	Description	Approx. Wt.
9088	66" x 66" x 23-1/2" Corner HealthTouch™ direct therapy air system with spout. Specify color and options.	150 lbs. (68 kg)
9089	Same as 9088 without spout	150 lbs. (68 kg)
9188	66" x 66" x 23-1/2" Corner GentleTouch™ immersion air system with spout. Specify color and options.	150 lbs. (68 kg)
9189	Same as 9188 without spout	150 lbs. (68 kg)
9288	66" x 66" x 23-1/2" Corner Dual Therapy™ complete performance system with spout. Specify color and options.	170 lbs. (77 kg)
9289	Same as 9288 without spout	170 lbs. (77 kg)
AR1000	Dual lounge heated backrest	
AR1200	Blower relocation kit	8 lbs. (1.8 kg)



# Castille

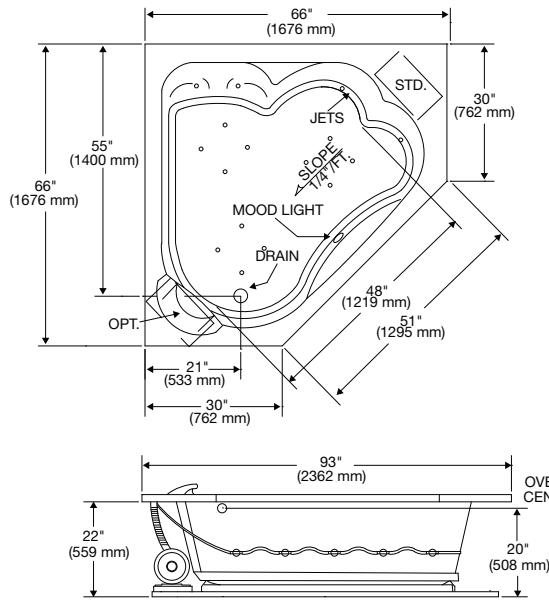
Corner Air Massage Bath with or without Spout



## Features & Options

Castille	Full Function Digital Controller	Wave / Pulse	Variable Speed	Air Jets / Injectors	SilentAir™ Heated Blowers	Remote Blower Location	Auto Purge System	PerfectBack™ Air Jet System	On/OFF Heated Back/Neck Rest	Dual Heated Backrest	Custom Design Pillow	MoodScape™ Chromatherapy	Ergonomic Handles	Trim Finish Selection	Remote Cable Drain	Nailing Flange	Removable Apron	ABS Drip Pan Base
HealthTouch™ Model 9088/9089	STD	STD	STD	66 1 HP	Single	OPT	STD	STD	STD	N/A	STD	STD	STD	STD	OPT	N/A	STD	
GentleTouch™ Model 9188/9189	STD	STD	STD	72 1 HP	Single	OPT	STD	STD	STD	N/A	STD	STD	STD	STD	OPT	N/A	STD	
DualTherapy™ Model 9288/9289	STD	STD	STD	138 1 HP	Dual	OPT	STD	STD	STD	N/A	STD	STD	STD	STD	OPT	N/A	STD	

## Technical Information



No apron available on this model.

Blower locations are shown for clarity.  
STD - standard blower location.  
OPT - optional blower location.

**Note:** Install this product according to the installation guide.  
Fixture dimensions are nominal and conform to tolerances in ASME Standard A112.19.2

If factory installed nailing flange is added to a unit, add 1/8" to each side flanged.

Note: Rough-in measurements may vary 1/4" (+/-)

## Specifications

Dimensions	66" x 66" x 23-1/2"	HealthTouch™ Model 9088/9089	1 HP blower, 1 single phase, 120V, 60 HZ, premounted
Material	Acrylic, fiberglass reinforced	Electrical	120V, 20 AMP, GFCI
Construction	Self-contained, pre-plumbed air massage bath, mounted on a thermoformed base	Number of Air Jets	66 perimeter side/back air jets
Water Capacity	90 gal. max., 75 gal. min. (341 liters/284 liters)	GentleTouch™ Model 9188/9189	1 HP blower, 1 single phase, 120V, 60 HZ, premounted
Floor Loading	47 lbs./sq. ft. (229 kg/m <sup>2</sup> )	Electrical	120V, 20 AMP, GFCI
Shipping Weight	180 lbs. (86 kg)	Number of Air Jets	72 body/foot micro air jets (12 injectors) with 12 side/back air jets
Shipping Weight	195 lbs. (93 kg)	DualTherapy™ Model 9288/9289	Two 1 HP blower, 1 single phase, 120V, 60 HZ, premounted
Warranty	Limited Ten Year	Electrical	Two 120V, 20 AMP, GFCI
		Number of Air Jets	66 perimeter side/back air jets
			72 body/foot micro air jets (12 injectors) with 12 side/back air jets

These dimensions are nominal and are subject to change without notice.  
When tested for compliance to the requirement of ANSI A112.19.7M and A112.19.8M for "Whirlpool Bath Appliances" and ANSI Z124 for "Plastic Bathtub Units" the tested units are found to comply and are acceptable for listing under the Terralab Engineers, Inc. follow-up service. Listed Number 15197.  
Certified for permanent electrical supply connection only.

