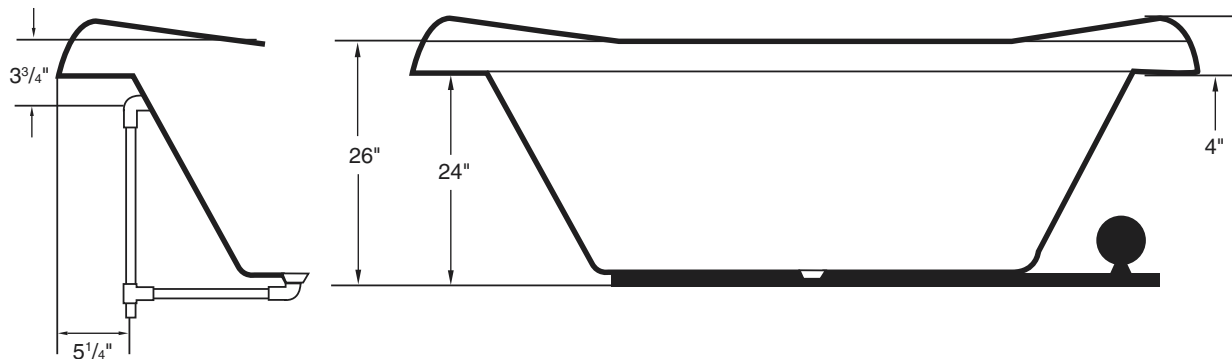
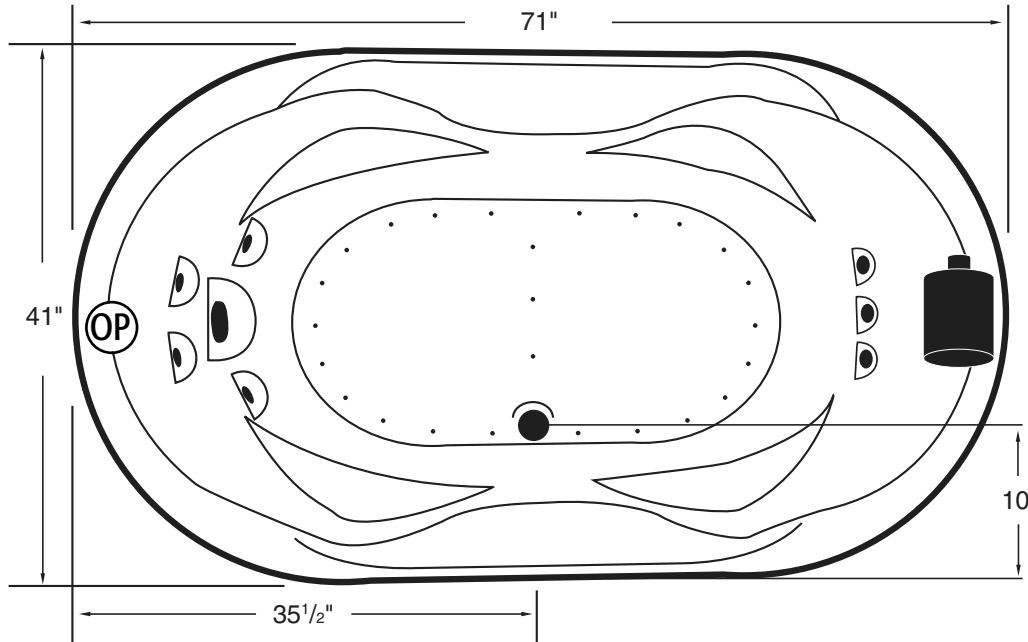


# elite plus collection

## 4170IAS-L' Indulgence

# S P E C I F I C A T I O N S

- All dimensions are plus or minus 1/2" (maximum tolerance)
- Vita Bath reserves the right to make changes without notice.
- Copyright, all rights reserved.



- MODEL:** 4171 IAS
- SIZE:** 41" x 71"
- EST. BOXED WEIGHT:** 175 lbs.
- BOXED SIZE:** 81" x 45" x 25"
- AVERAGE FILL (gallons):** 80
- PUMP SIZE:** 1.0 HP
- ELECTRICAL:** 110 V 20 Amp Circuit
- MATERIAL:** Acrylic reinforced fiberglass
- STANDARD COLORS:** White, Bone, Almond, Biscuit, Sterling Silver, Linen
- STANDARD FEATURES:** Electronic Digital Control, Air Pump with Heater, Spectra-Glo, VitAroma
- AIR JETS:** 33 Aero--ssage Jets

Interior Depth	Interior Length Top	Interior Width Top	Interior Length Bottom	Interior Width Bottom
22 1/2	64	28	42	23

\* Except interior depth, all dimensions are approximations to the nearest inch.

**AromaSpa™**  
by **VITA BATH**

A Division of DM Industries, Ltd.  
2320 N.W. 147th St., Miami, FL 33054  
For Dealer Information call: 1 (888) BUY-VITA

**CORPORATE OFFICES:**  
Tel: (305) 685-5739 • Fax: (305) 688-9415  
Web Site: <http://www.vitabath.com>

**Notes:** Certain optional features will result in equipment extending beyond perimeter of tub.

Ⓞ Optional Pump Location



Standard Pump Location