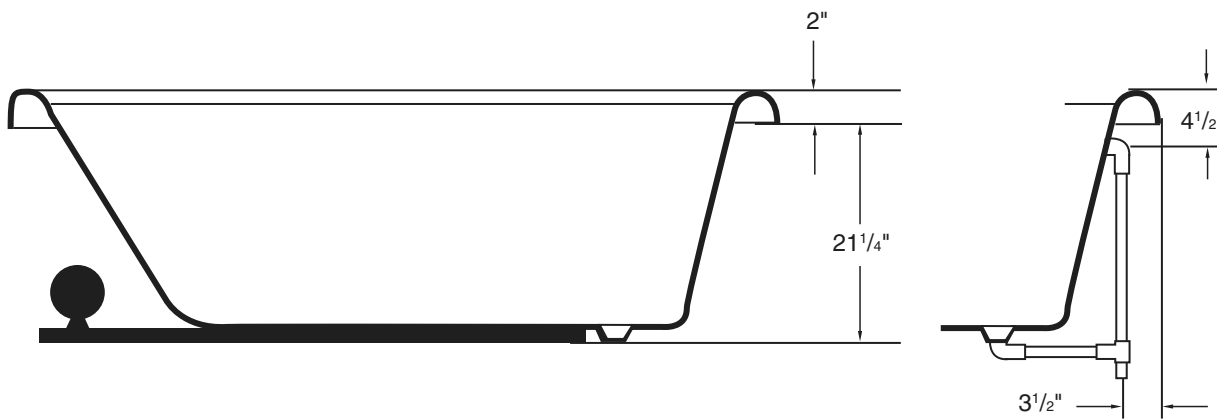
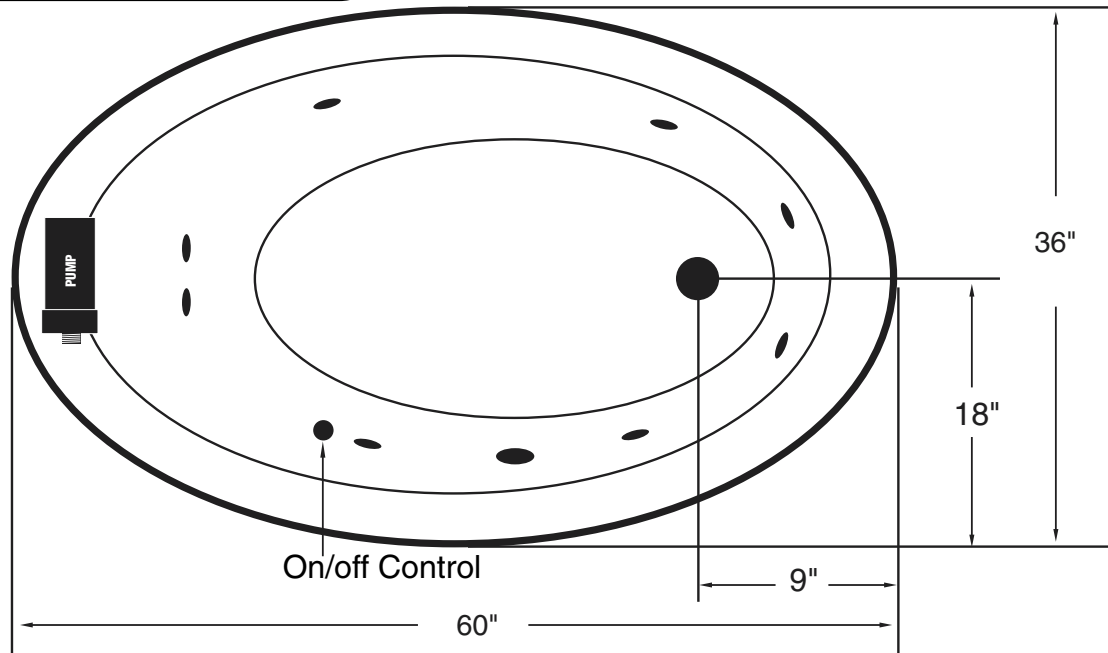


signature series

S P E C I F I C A T I O N S

3660PW-La Petite



Standard Pump Location

- All dimensions are plus or minus 1/2". (maximum tolerance)
- Vita Bath reserves the right to make changes without notice.
- Copyright, all rights reserved.

MODEL: 3660 PW

SIZE: 36" x 60"

EST. BOXED WEIGHT: 140 lbs.

BOXED SIZE: 71" x 39" x 24"

AVERAGE FILL (gallons): 35

PUMP SIZE: 1.5 HP

ELECTRICAL: 110 V 20 Amp Circuit

MATERIAL: Acrylic reinforced fiberglass

STANDARD COLORS: White, Bone, Almond, Biscuit
Sterling Silver, Linen

STANDARD FEATURES: Air Switch

JETS: Star Jets 6, Cluster Jets 2

AIR CONTROL(S): 1

SUCTION FITTINGS: 1

Interior Depth	Interior Length Top	Interior Width Top	Interior Length Bottom	Interior Width Bottom
20	52	28	41	25

* Except interior depth, all dimensions are approximations to the nearest inch.

VITA[®] BATH

A Division of DM Industries, Ltd.
2320 N.W. 147th St., Miami, FL 33054
For Dealer Information call: 1 (888) BUY-VITA

CORPORATE OFFICES:

Tel: (305) 685-5739 • Fax: (305) 688-9415

Web Site: <http://www.vitabath.com>